

GK HOOP CARRIER

COMBINING TECHNOLOGY AND TRADITION SINCE 1976



EASILY TRANSPORTS SHADE AND TARP HOOPS IN/OUT OF FIELDS

The GK Hoop Carrier is an innovative machine designed to transport shade cloth and tarp hoops into and out of berry fields. Utilizing this machine will help reduce labor, save time, and improve field worker safety.

The machine lifts, transports and places hoops into the field. It replaces the need for field workers to manually lift the hoops and walk them into the field and over crops. A traditional crew normally takes up to three weeks to cover a large field; with the GK Hoop Carrier, it only takes 2.5 days to cover the same area.

A unique feature of the GK Hoop Carrier is its four wheels that drive and steer independently, giving the machine both omni-directional and swerve-style steering, and it can turn completely around within its own footprint. Using simple joystick inputs from the operator, wheel angles and speeds are calculated and implemented in real time.

Features:

- Reduces labor costs
- Improves field worker safety
- 4-wheel independent steering

Machine Operation:

The GK Hoop Carrier is easy to operate. Simply hold down the trigger, and push the joystick in the direction you want to go. The rocker switch on the back of the joystick rotates the whole machine clockwise or counterclockwise. The two buttons on the back of the joystick actuate the cylinders up and down. A toggle switch allows you to control one side of lift cylinders at a time if you wish. The seat can be rotated 90 or 180 degrees to face the desired direction of travel, and the controls will rotate to match.



Call for a friendly quote!

503-678-5525

10590 Donald Road NE · Donald, Oregon 97020 FAX 503-678-5693 gksales@gkmachine.com · www.gkmachine.com

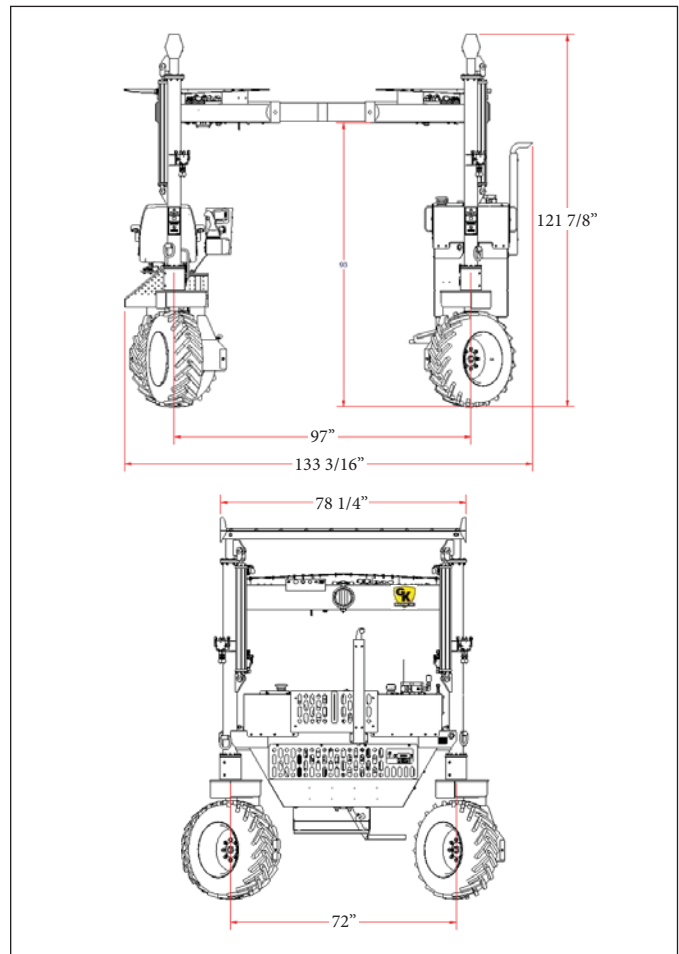
GK HOOP CARRIER

COMBINING TECHNOLOGY AND TRADITION SINCE 1976



Specifications:

- Engine: Vanguard 35 HP
- Transmission: Open Loop Hydraulic Drive
- Dimensions: Wheel Base - 97" Wide by 72" Long
- Hydraulics: Open Loop Load Sense with Auxiliaries Installed
- Machine Weight: 3800 LBS.
- Hoop Capacity: 140 PCS.
3640 LBS.



Trailer to Transport Hoops:

GK Machine also builds a customized trailer for easy transport of the hoops from storage to field.



Call for a friendly quote!

503-678-5525

10590 Donald Road NE · Donald, Oregon 97020 FAX 503-678-5693 gksales@gkmachine.com · www.gkmachine.com